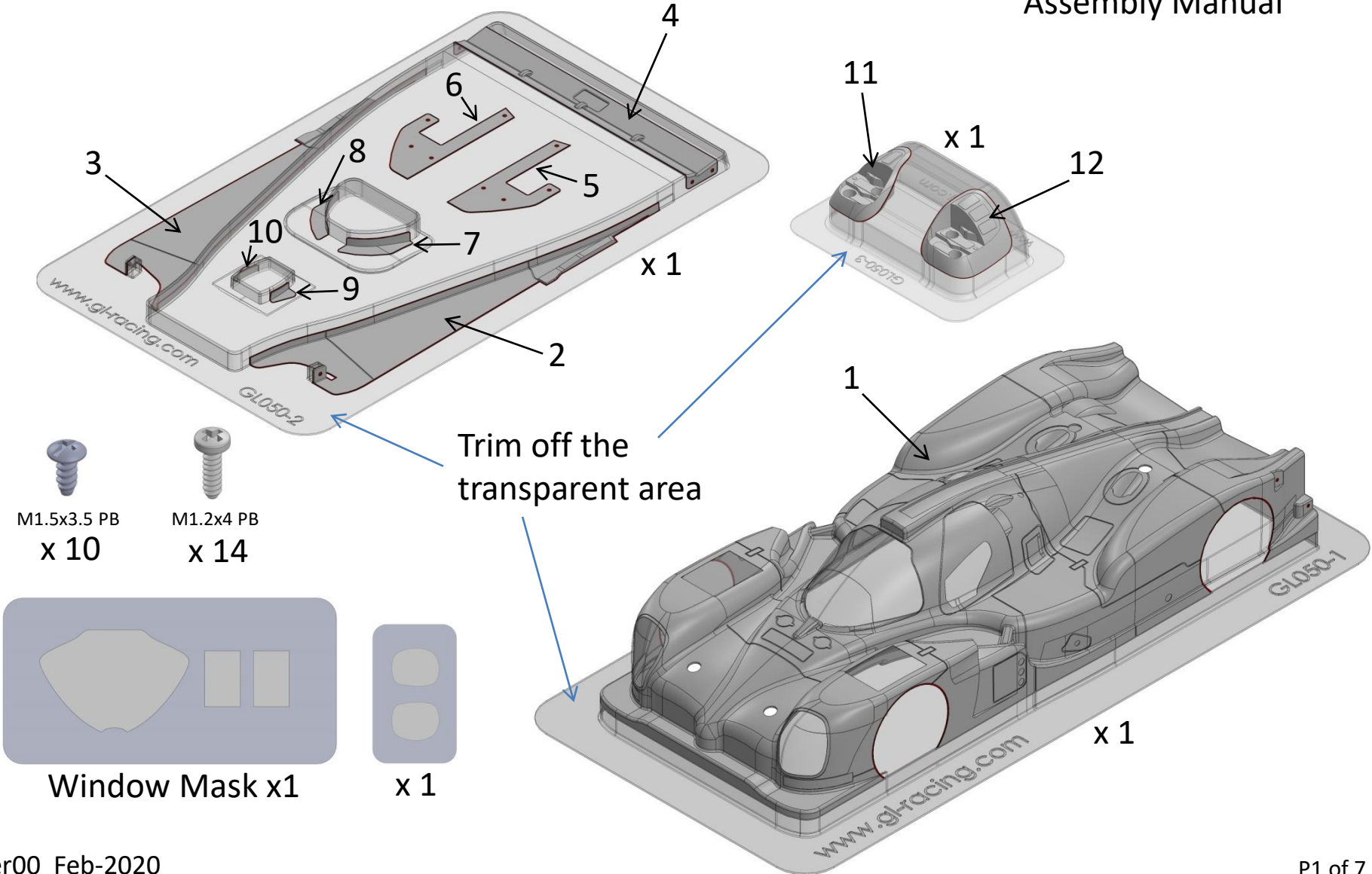
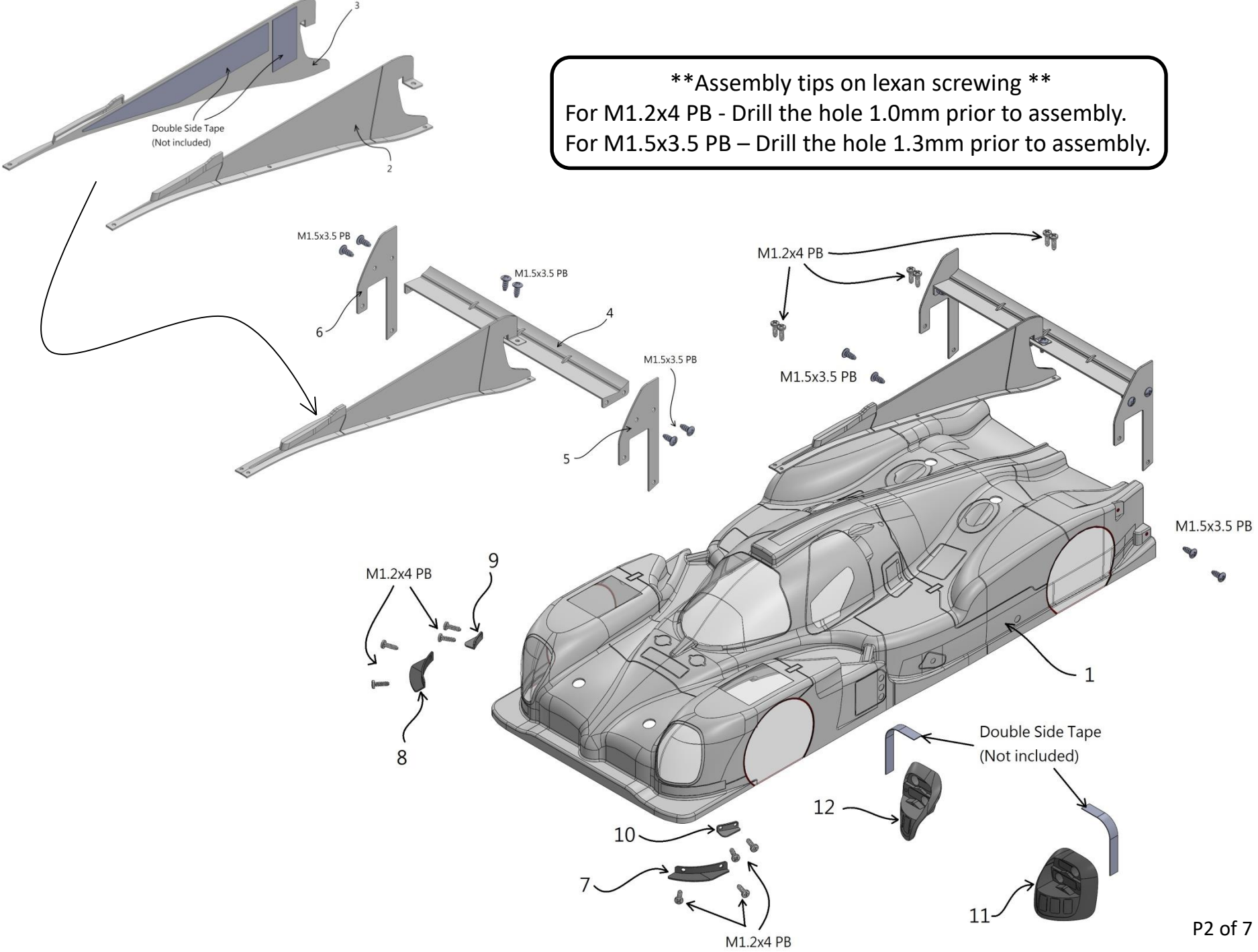


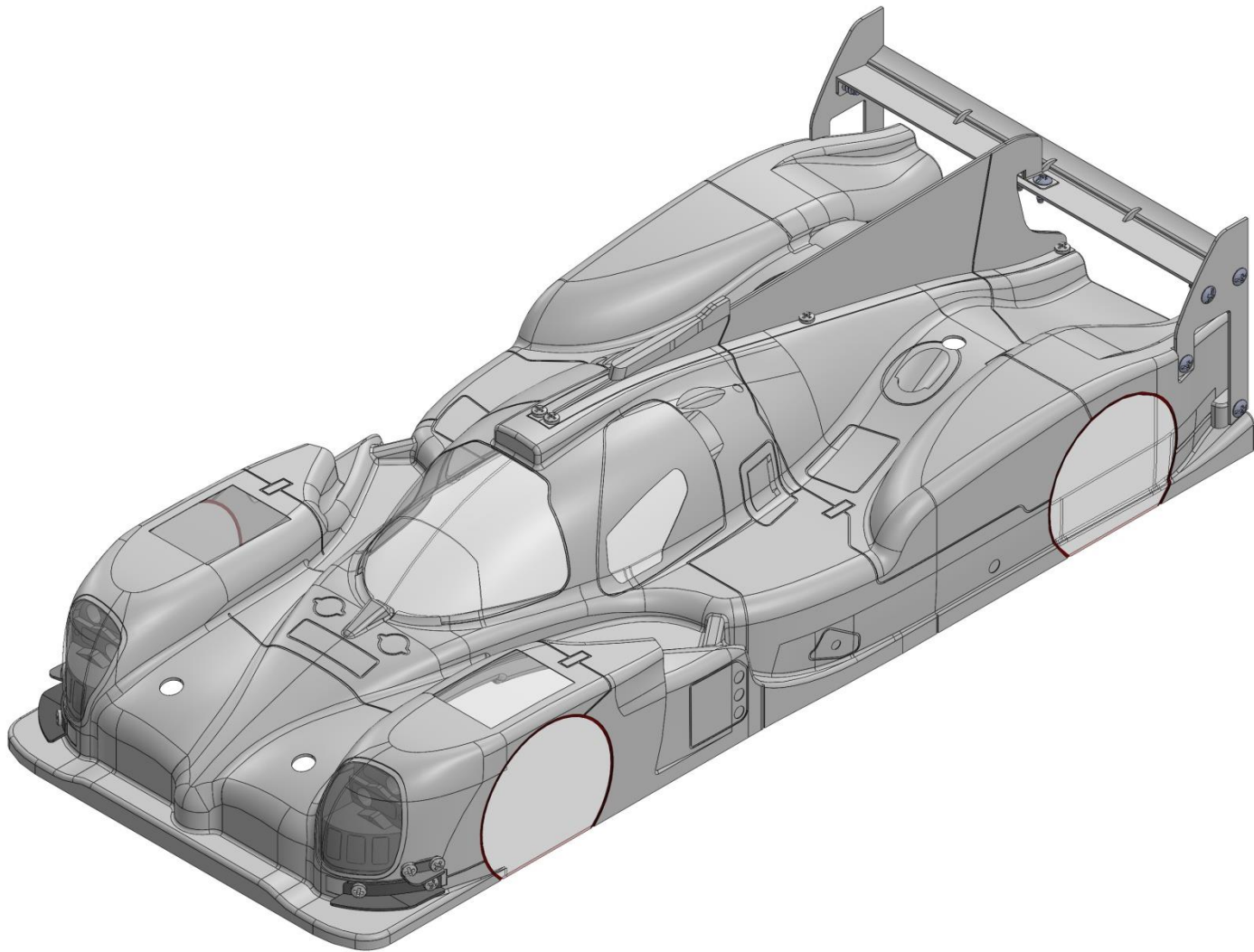
GL-050-1 GLF LeMans Lexan Body Set

Assembly Manual



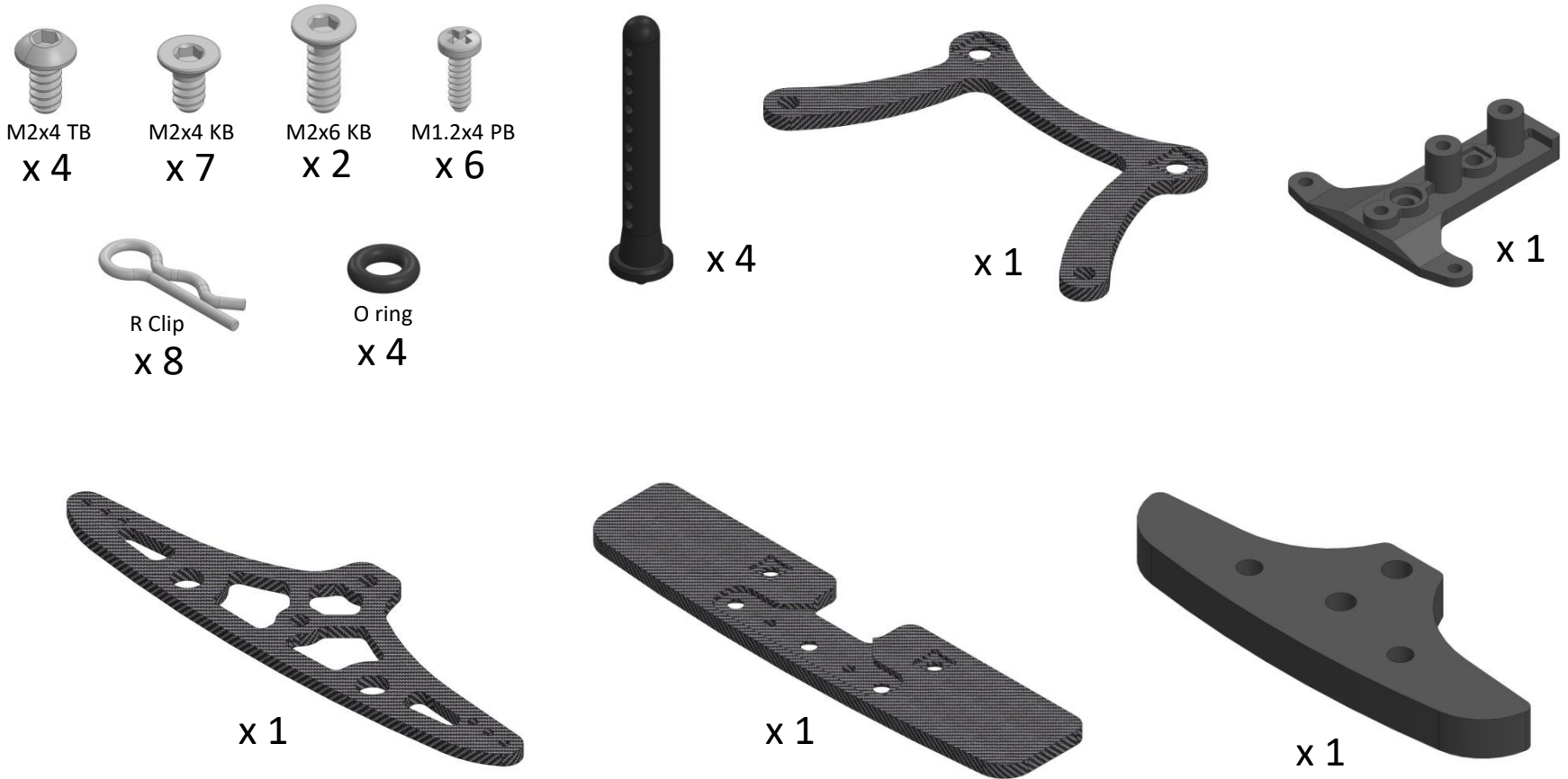
****Assembly tips on lexan screwing****
For M1.2x4 PB - Drill the hole 1.0mm prior to assembly.
For M1.5x3.5 PB – Drill the hole 1.3mm prior to assembly.



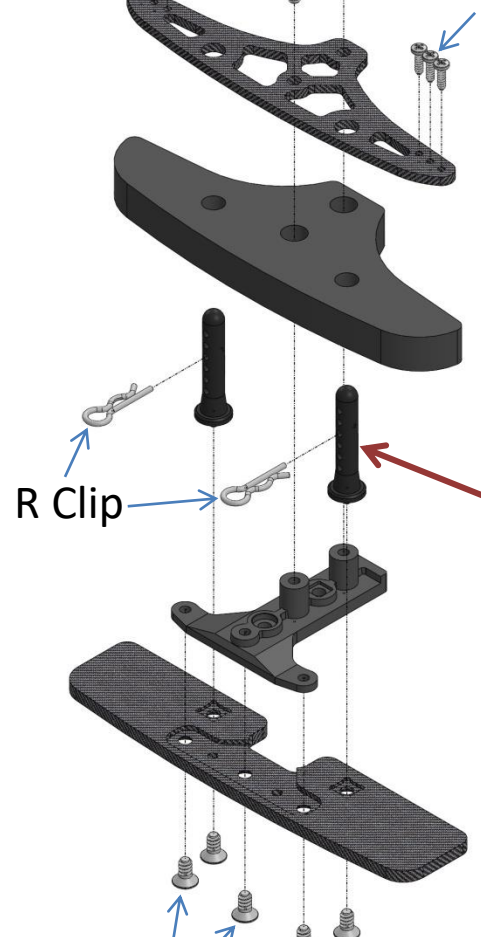


GL-050-2 GLF LeMans Body Mount

Assembly Manual

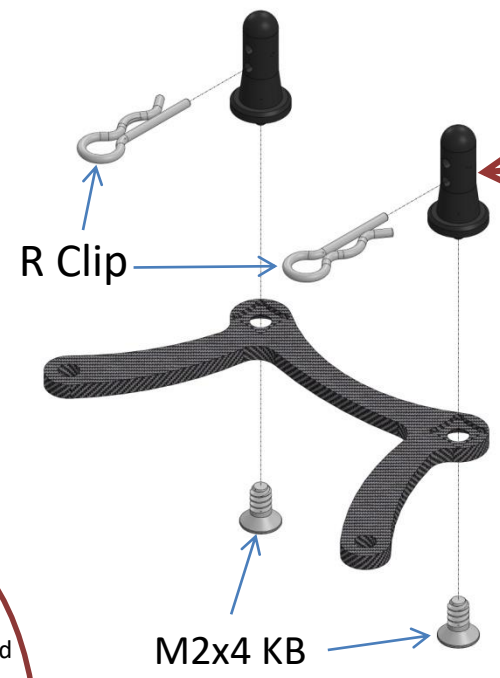
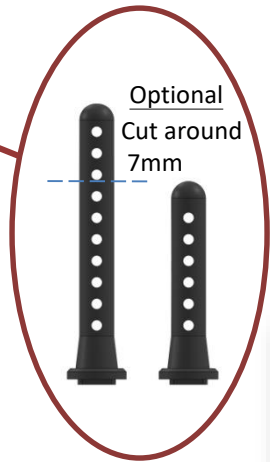


M1.2x4 PB
M2x4 TB
M1.2x4 PB



R Clip

M2x4 KB



R Clip

M2x4 KB

Optional
Cut around
15mm



